

iCON 30S eco

Stylish toilet, bathroom and utility ventilation



Key Features

- Low energy mixed flow fan
- Flow rate up to 123 m³/hr
- Stylish, slim and unobtrusive in walls or ceilings
- Recessed or surface mounting
- Different colour covers available
- Unique iris shutter, prevents backdraughts, operates silently
- Interchangeable control modules match fan to installation requirements
- Low watt motor - 13w
- SFP 0.38 W/l/s
- Universal voltage 100/240v - 50/60Hz
- IPX4 rating
- Complies with Building Regulations
- 3 year warranty

iCON 30S eco

iCON 30S eco 12 volt low energy fans with brushless DC motors offer significantly reduced energy consumption compared with standard AC motors. Fitted with ball-bearing motors for extra long life, each model is supplied with a remote mounting 100/240v AC to 12v DC transformer. Stylish, slim and unobtrusive in walls or ceilings.

The iCON fan is an efficient, stylish and unique ventilation solution for the modern home. The shutter design makes switching on and off almost silent and helps reduce external noise ingress. The slim profile and iris shutter of the iCON make it a fan which will blend discreetly into any setting.

iCON 30S eco is designed to provide ventilation levels that comply with the latest Building Regulations.



Modules

72573603	Pull Cord
72574204	Pull Cord with adjustable Timer
72574202	Humidity, Pull Cord with Timer overrun
72574203	Motion Sensor with Timer overrun
72574201	Motion Sensor / Humidity / Timer
72682307	Delay Start Timer with Pull Cord

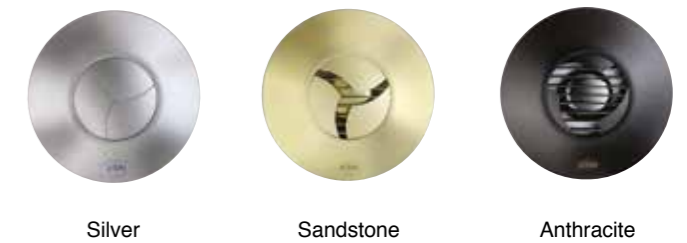


Technical Data

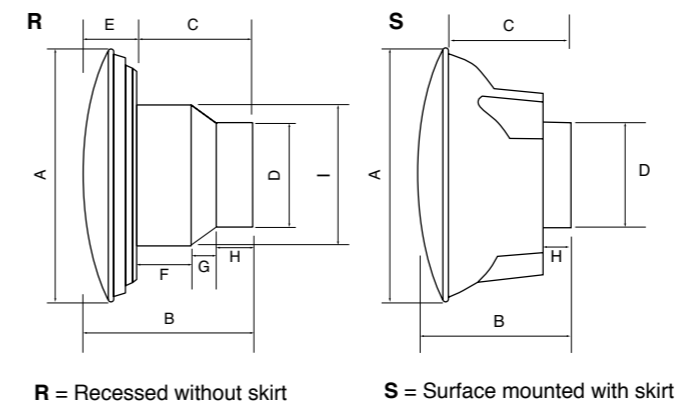
Specification	iCON 30S eco
Air flow m ³ /hr / l/sec	123 / 34
Fan type	Mixed Centrifugal / Axial
Mounting	Wall / Ceiling
Sound pressure dB(A)@3m	33.6
Power watts	7.7
Specific Fan Power (SFP)	0.38
Building Regulations ADF	Yes
Duct diameter (mm)	100
Voltage	100/240v-50/60Hz
Rating	IPX4
Max ambient temperature	40°C
Weight (kg)	1.1
Dimensions (H x W x D) mm	225 x 225 x 141
Part No.	72683801

Covers

52634507	Silver
52634508	Sandstone
52634506	Anthracite

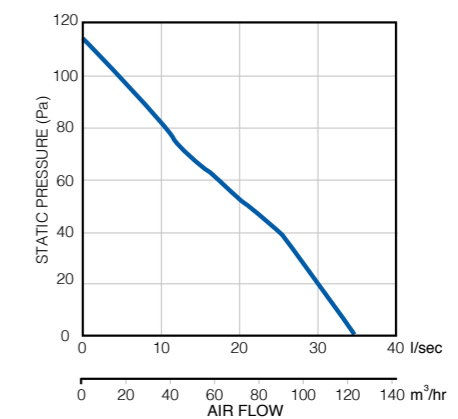


Dimensions (mm)



Model	A	B	C	D	E	F	G	H	I
iCON 30S eco (R)	225	144	101	97	43	51	20	30	148
iCON 30S eco (S)	225	144	92	97	-	-	-	29	-

Performance



Controls and Accessories

A range of accessories including flexible and rigid ducting kits, controls, switches and grilles are available.

See accessories for more details.

